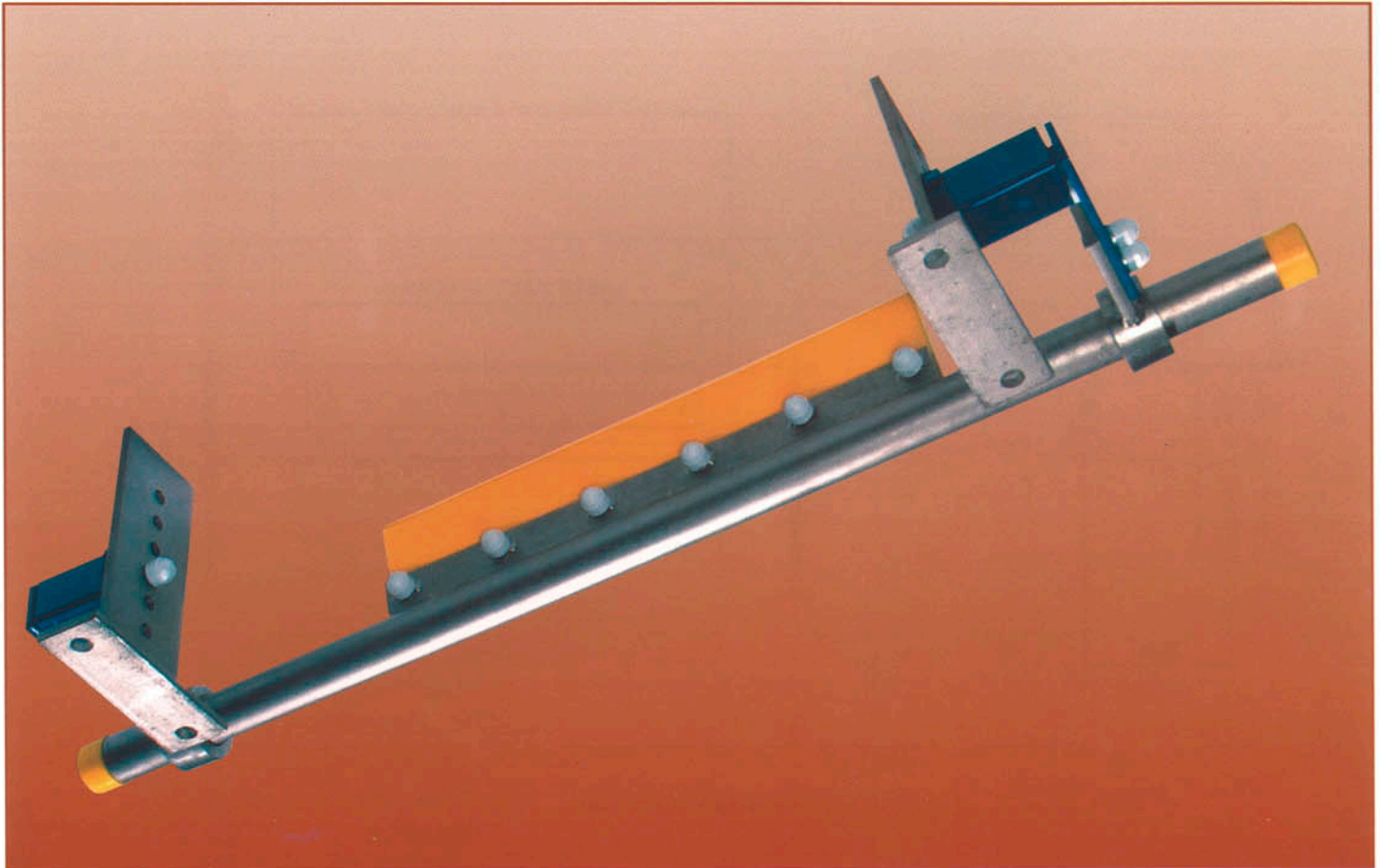









Canning Conveyor

Type SB Single Blade Scraper



-  efficient low cost, low maintenance scraper
-  easy to install and maintain
-  torsion mounted for self adjusting
-  95 shore hardness polyurethane blade
-  all metal parts zinc plated for protection



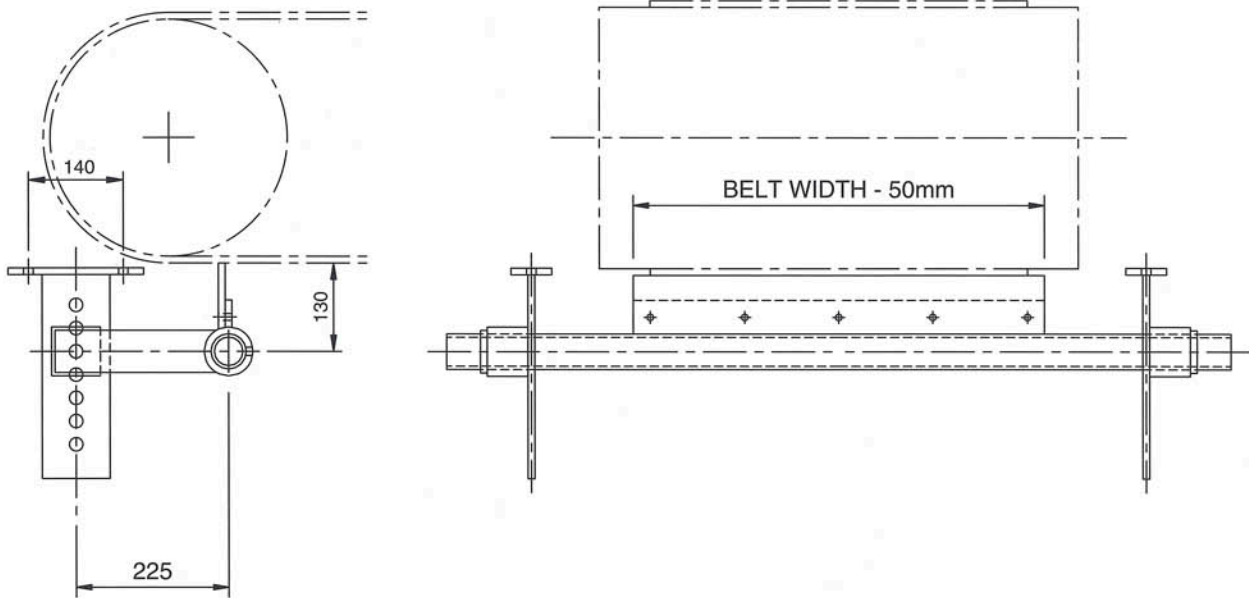
Canning Conveyor

Sandy Lane Industrial Estate, Sandy Lane, Worksop, Nottinghamshire
Tel: 01909 486166 . Fax: 01909 500638
e-mail: sales@canningconveyor.co.uk www.canningconveyor.co.uk



Canning Conveyor

Type SB Single Blade Scraper



Single Blade Scraper

Ordering information

Belt Width (mm)	450	500	600	750	800	900	1000/ 1050	1200	1350/ 1400	1500	1600	1800	2000
Scraper Ref.	SB/450	SB/500	SB/600	SB/750	SB/800	SB/900	SB/1050	SB/1200	SB/1400	SB/1500	SB/1600	SB/1800	SB/2000



Canning Conveyor

Sandy Lane Industrial Estate, Sandy Lane, Worksop, Nottinghamshire
Tel: 01909 486166 . Fax: 01909 500638
e-mail: sales@canningconveyor.co.uk www.canningconveyor.co.uk