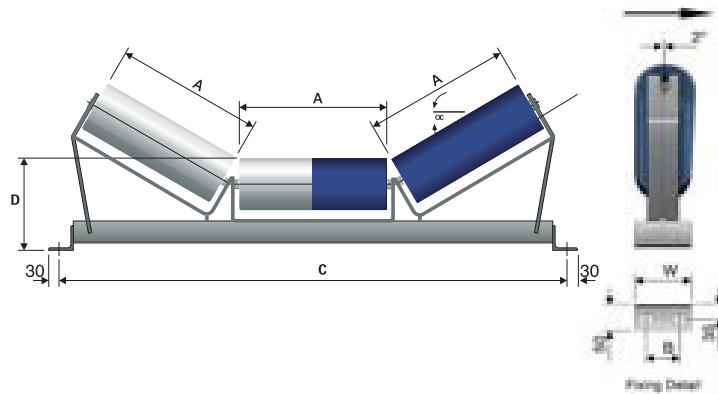


# polymer – fixed angle idler sets & return rollers

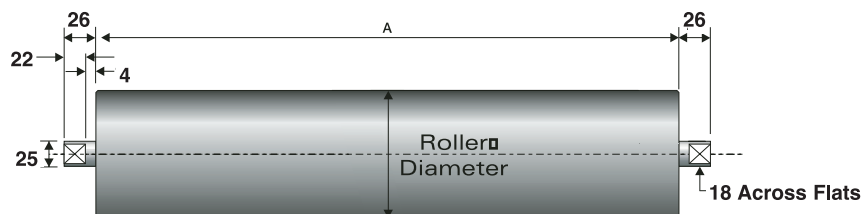
## Fixed angle sets

Angle of side Rollers  
20°, 30°, 35°, 45°



Available in either folded or tubular transome frames  
F= Folded T= Tubular

Belt Width mm	A mm	B mm	C mm	102mm Dia	
				Ref	H mm
500	200	75	740	HDP-CDF500	200
600	240	75	840	HDP-CDF600	200
750	295	75	990	HDP-CDF750	200
900	350	75	1140	HDP-CDF900	200
1000	308	75	1240	HDP-CDF1000	200



## Canning Conveyor

### Material Handling Solutions

Sandy Lane Industrial Estate Worksop Nottinghamshire S80 1TN

Tel: 01909 486166 Fax: 01909 500638

sales@canningconveyor.co.uk [www.canningconveyor.co.uk](http://www.canningconveyor.co.uk)