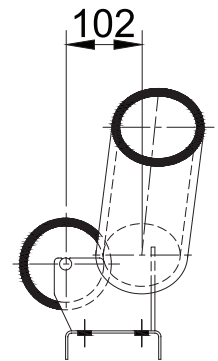
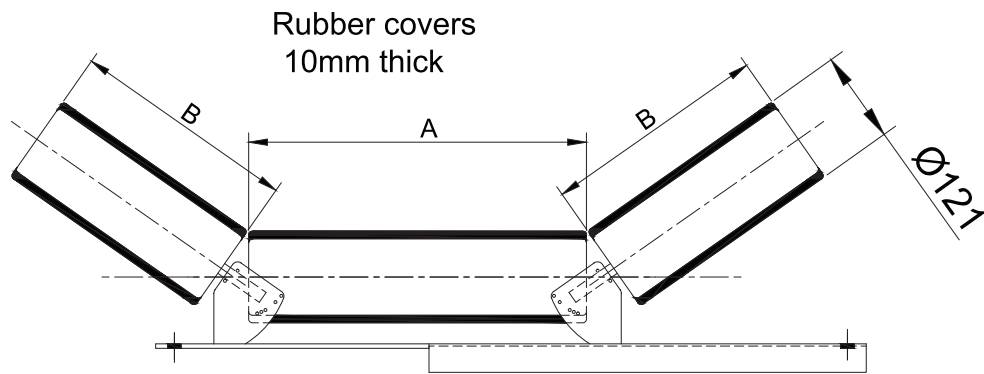


Adjustable 3 roll rubber covered troughing idlers



Base Plate Type

Transome type

3 roll base plate type picking idler sets

| BELT WIDTH (mm) | A (mm) | B (mm) | C (mm) Hole Centres | | 121mm dia R/C Ref | |
|-----------------|--------|--------|---------------------|-----------|-------------------|-----------|
| | | | Channel | Baseplate | Channel | Baseplate |
| 300 | 152 | 127 | 584 | 254 | | |
| 350 | 152 | 127 | 584 | 254 | | |
| 400 | 152 | 178 | 635 | 305 | R16C | R16B |
| 450 | 203 | 178 | 686 | 305 | R18C | R18B |
| 500 | 203 | 203 | 737 | 330 | R20C | R20B |
| 600 | 305 | 203 | 838 | 406 | R24C | R24B |
| 650 | 356 | 203 | 889 | 483 | R26C | R26B |
| 750 | 356 | 254 | 991 | 483 | R30C | R20B |
| 800 | 406 | 254 | 1041 | 533 | R32C | R32B |
| 900 | 508 | 254 | 1143 | 635 | R36C | R36B |
| 1000 | 558 | 279 | 1240 | 685 | R40C | R40B |

Below are sizes and references for 4 roll variable ang

| | | | | | | |
|------|-----|-----|------|------|------|------|
| 1050 | 305 | 254 | 1295 | 813 | R42C | R42B |
| 1200 | 406 | 254 | 1448 | 1016 | R48C | R48B |
| 1400 | 457 | 254 | 1600 | 1118 | R54C | R54B |
| 1500 | 559 | 254 | 1753 | 1321 | R60C | R60B |



Canning Conveyor

Material Handling Solutions

Sandy Lane Industrial Estate Worksop Nottinghamshire S80 1TN

Tel: 01909 486166 Fax: 01909 500638

sales@canningconveyor.co.uk www.canningconveyor.co.uk